

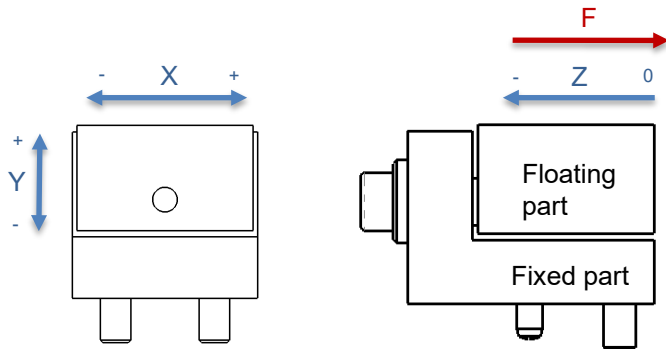
Float unit for Narrow USB-C Test Connector

MA094280

OVERVIEW

MA094280 is a float unit for Bluelec Narrow USB Type-C test plugs.

It compensates the possible misalignments between test system mechanics and DUT socket and enables more smooth insertion of the test plug.



Default position of floating part is '0' for all axes.
Displacement of Z is needed to allow displacement of X and Y.

SPECIFICATIONS

Displacement Zmax	+0.0 / -0,5 mm
Displacement Xmax@Zmax	+/- 0,3 mm
Displacement Ymax@Zmax	+/- 0,3 mm
Spring force F @ Z0	~10N
Spring force F @ Zmax	~14,5N

