

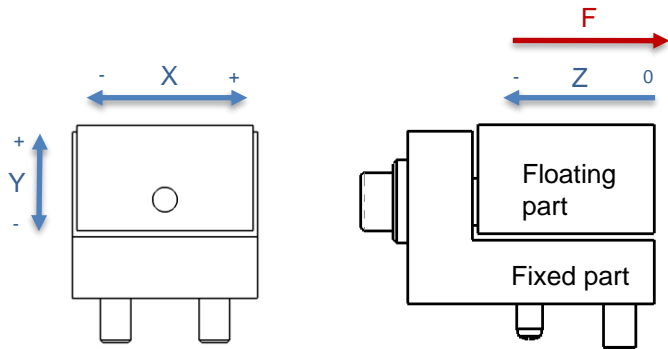
# Float unit for Mini-USB Test Connector

MA091628

## OVERVIEW

MA091628 is a float unit for Bluelec Mini-USB test plug.

It compensates the possible misalignments between test system mechanics and DUT socket and enables smoother insertion of the test plug.



Default position of floating part is '0' for all axes.  
Displacement of Z is needed to allow displacement of X and Y.

## SPECIFICATIONS

|                        |                |
|------------------------|----------------|
| Displacement Zmax      | +0.0 / -0,5 mm |
| Displacement Xmax@Zmax | +/- 0,3 mm     |
| Displacement Ymax@Zmax | +/- 0,3 mm     |
| Spring force F @ Z0    | ~10N           |
| Spring force F @ Zmax  | ~14,5N         |

