

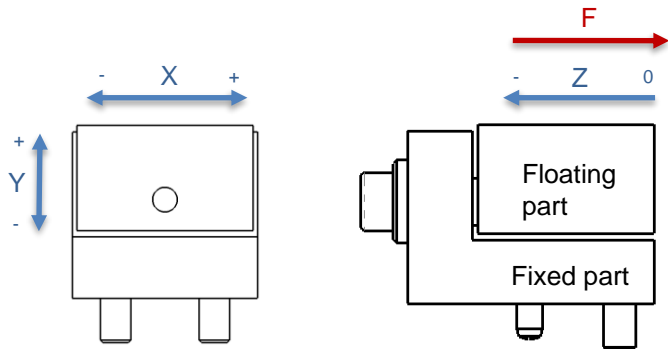
# Float unit for LTNG Test Connector

MA085951

## OVERVIEW

MA085951 is a float unit for Bluelec LTNG test plugs.

It compensates the possible misalignments between test system mechanics and DUT socket and enables smoother insertion of the test plug.



Default position of floating part is '0' for all axes.  
Displacement of Z is needed to allow displacement of X and Y.

## SPECIFICATIONS

Displacement Zmax	+0.0 / -0,5 mm
Displacement Xmax@Zmax	+/- 0,3 mm
Displacement Ymax@Zmax	+/- 0,3 mm
Spring force F @ Z0	~10N
Spring force F @ Zmax	~14,5N

