

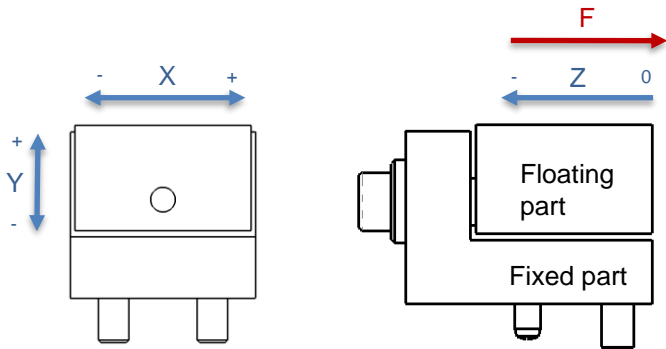
Float unit for RJ45 Test Connector

MA085139

OVERVIEW

MA085139 is a float unit for Bluelec unshielded RJ45 test plugs, MA014781 and MA036427.

It compensates the possible misalignments between test system mechanics and DUT socket and enables smoother insertion of the test plug.



Default position of floating part is '0' for all axes.
Displacement of Z is needed to allow displacement of X and Y.

SPECIFICATIONS

Displacement Zmax	+0.0 / -0,5 mm
Displacement Xmax@Zmax	+/- 0,3 mm
Displacement Ymax@Zmax	+/- 0,3 mm
Spring force F @ Z0	~10N
Spring force F @ Zmax	~14,5N

