

Modular 8P8C Test Connector

MA036427

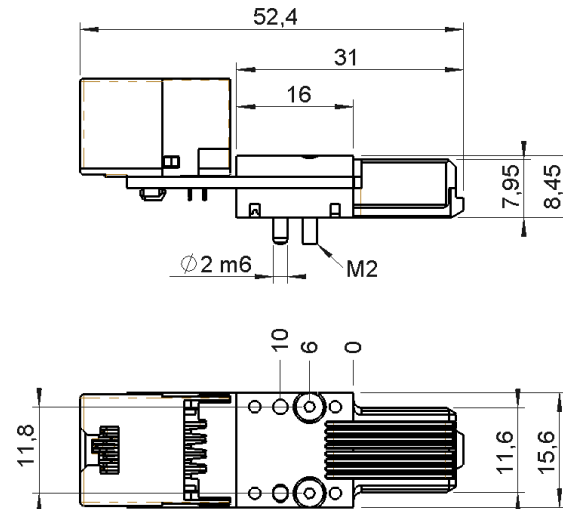
ELECTRICAL

PINOUT		
Socket		Plug
Pin	-	Pin
1	-	1
2	-	2
3	-	3
4	-	4
5	-	5
6	-	6
7	-	7
8	-	8

CHARACTERISTICS	
Current Max.	0.5A
Voltage Max.	30V
Datalines Diff. Impedance	100Ω
Operating Temperature	0°C - 60°C

MECHANICAL

Mating force	12N (typical)
Unmating force	7N (typical)
Durability	50k cycles (typical)



MA036427 8P8C Modular Test Connector is a straight signaling test plug for RJ45 interface testing. Suitable for all devices with RJ45 connectors, like desktop computers, laptops, televisions, set top boxes, Ethernet routers, Ethernet switches and others.

The transmission of high data rates can be achieved, recommended to be verified by our customers in their applied test setup.

