

USB Type-C Test Connector

MA066774

ELECTRICAL

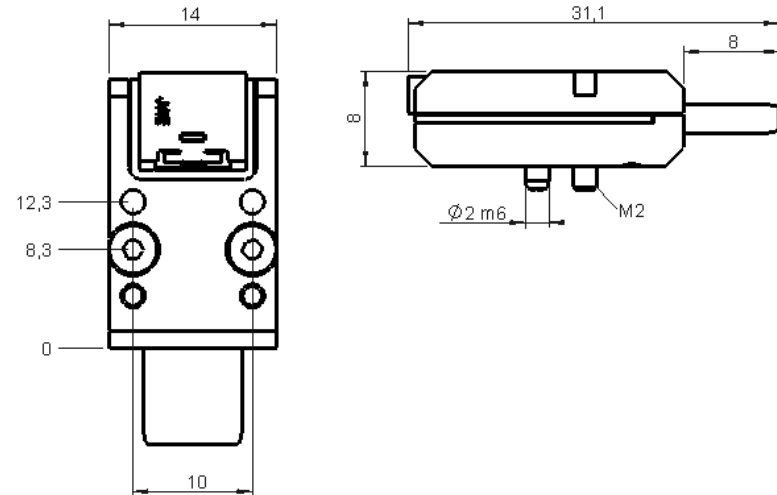
PINOUT Socket/Plug				
Pin	Name		Pin	Name
A1	GND		B12	GND
A2	TX1+		B11	RX1+
A3	TX1-		B10	RX1-
A4	V _{BUS}		B9	V _{BUS}
A5	CC1		B8	SBU2
A6	D+		B7	D-
A7	D-		B6	D+
A8	SBU1		B5	CC2
A9	V _{BUS}		B4	V _{BUS}
A10	RX2-		B3	TX2-
A11	RX2+		B2	TX2+
A12	GND		B1	GND

CHARACTERISTICS

Current Max.	1,25A (VBUS/GND-pins) 0,25A (other pins)
Voltage Max.	20V
Datalines Diff. Impedance	90Ω
Operating Temperature	0°C - 60°C

MECHANICAL

Mating force	2N (typical)
Unmating force	1N (typical)
Durability	100k cycles (typical)



MA066774 USB Type-C Test Connector is 24-pin double sided connector with straight signaling. It has:

- extended tip length (8mm) → optimal reach even for recessed DUT socket
- very low mating / unmating force → easy insertion
- non-metal tip → low risk for damaging DUT

The transmission of high data rates can be achieved, recommended to be verified by our customers in their applied test setup.

