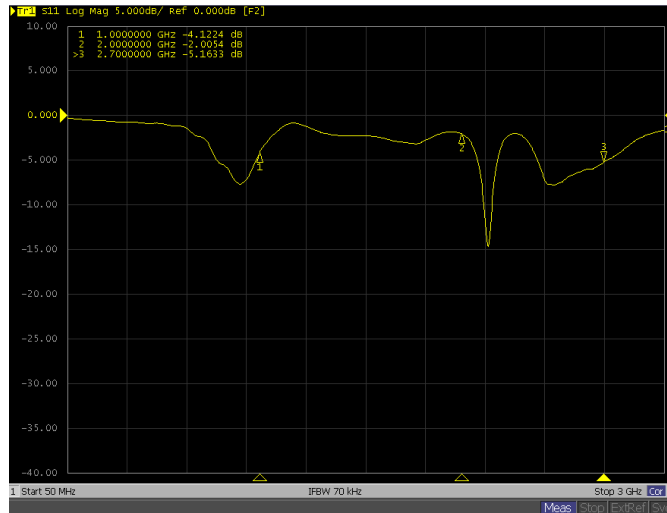


Wideband Coupler (MMCX)

MB001728

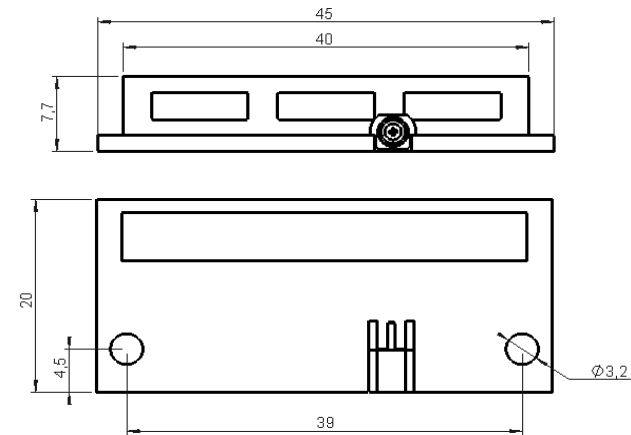
SPECIFICATIONS

All-in-one, high-quality coupler to test wideband antennas, with good near-field coupling at wide frequency range from 698MHz to 2700MHz. With its small size, it is easy to integrate into all kind of test applications.



Reference measurement in a non-reflective environment, without DUT or other mechanics in surrounding area

TECHNICAL DETAILS	
Temperature	from 0°C to +60°C
Relative humidity	from 15% to 95% non-condensing
Frequency	from 698 MHz to 2700 MHz
Impedance	50 ohm
Polarization	Linear
Radiation Properties	Omni-directional
RF connector type	MMCX



Designed for wideband antenna testing of mobile devices like smartphones, tablets, wearables, handheld navigators, and other portable devices with cellular bands 2G/3G/4G and complementary BT/WLAN/GPS bands.

Suitable for testing in high-volume production, R&D laboratories, service centers and test laboratories.

