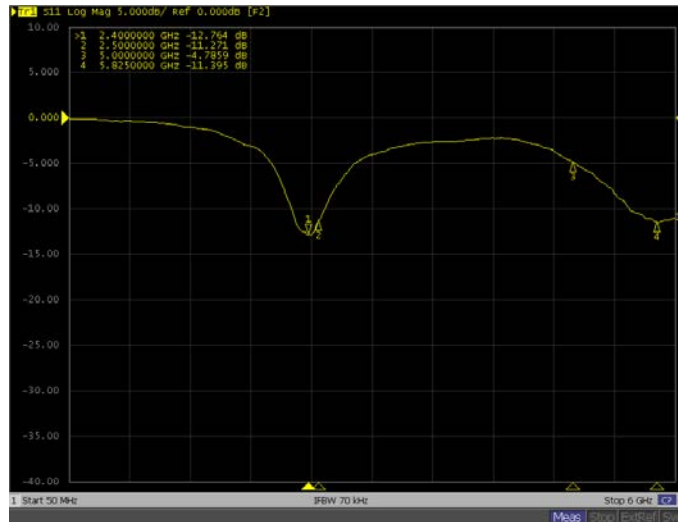


# WiFi Coupler (JSC)

MB001505

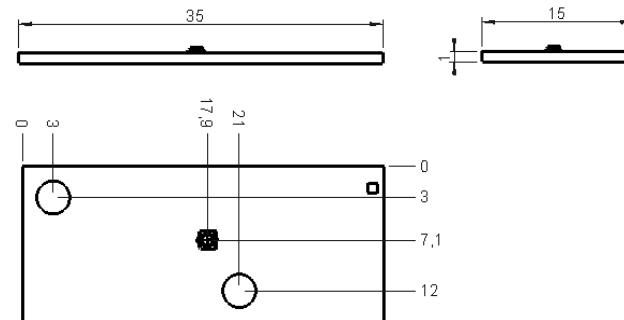
## SPECIFICATIONS

High-quality coupler to test WLAN and Bluetooth antennas.  
Great near-field coupling at BT and WLAN frequencies. Small-size antenna coupler which is easy to integrate for all kinds of test applications.



Reference measurement in a non-reflective environment, without DUT or other mechanics in surrounding area

TECHNICAL DETAILS	
Temperature	from 0°C to +60°C
Relative humidity	from 15% to 95% non-condensing
Frequency ranges	Range1: 2.4 – 2.5 GHz Range2: 5.2 – 5.8 GHz
Impedance	50 ohm
Polarization	Linear
Radiation Properties	Omni-directional
RF connector type	JSC



Designed for wideband antenna testing of WLAN or Bluetooth antenna testing of mobile devices like smartphones, tablets, wearables, handheld navigators and other portable devices with WLAN or Bluetooth.

Suitable for testing in high-volume production, R&D laboratories, service centers and test laboratories.

