

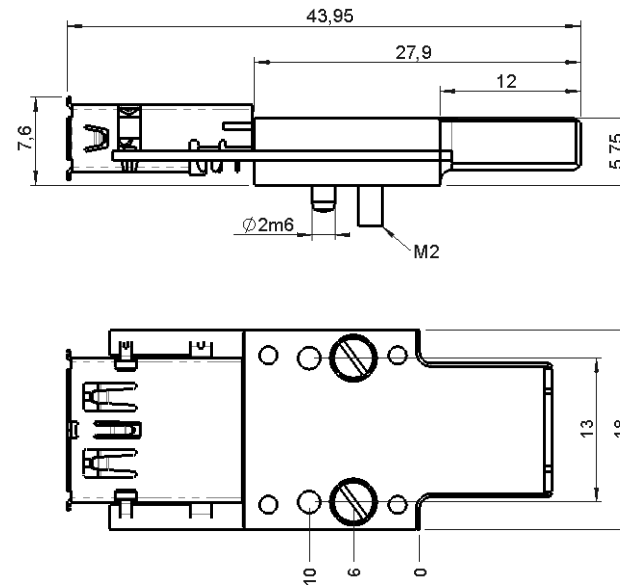
# USB3 Type-A Test Connector

MA033469

## ELECTRICAL

PINOUT	
USB Type-A socket	
USB Type-A plug	
Pin	Name
1	VCC
2	D-
3	D+
4	GND
5	SSRX-
6	SSRX+
7	GND_DRAIN
8	SSTX-
9	SSTX+

## MECHANICAL



MA033469 USB3 Type-A Test Connector is a 9-pin Test Plug with straight signaling. It is also compatible with USB 2.0 type-A.

MA033469 Test Plug is designed for testing of USB Type A interface.

The transmission of high data rates can be achieved, recommended to be verified by our customers in their applied test setup.

