

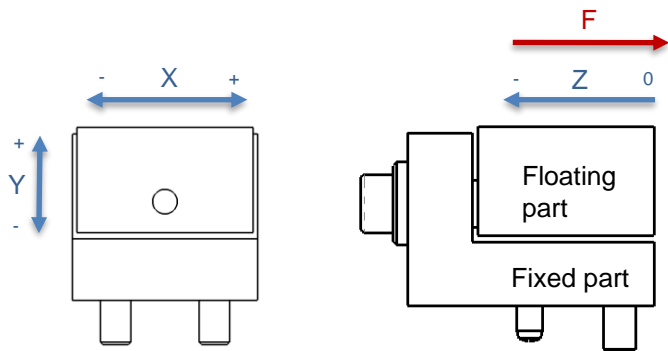
Float unit for mDP Test Connector

MA030013

OVERVIEW

MA030013 is a float unit for Bluelec Mini-Displayport test plug.

It compensates the possible misalignments between test system mechanics and DUT socket and enables more smooth insertion of the test plug.



Default position of floating part is '0' for all axes.
Displacement of Z is needed to allow displacement of X and Y.

SPECIFICATIONS

Displacement Zmax	+0.0 / -0,5 mm
Displacement Xmax@Zmax	+/- 0,3 mm
Displacement Ymax@Zmax	+/- 0,3 mm
Spring force F @ Z0	~10N
Spring force F @ Zmax	~14,5N

