

LTNG Test Connector - Straight

MA015028

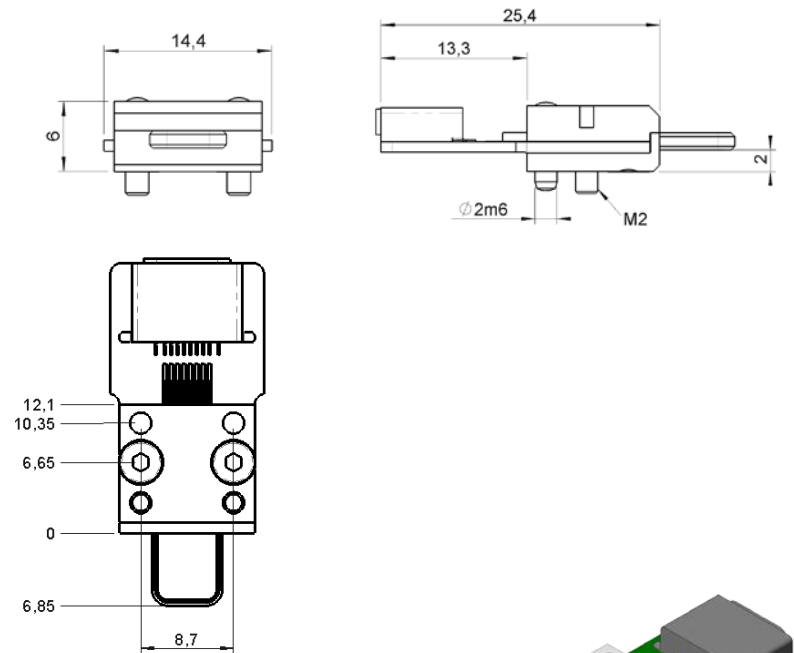
BLUELEC
Part of JOT Automation

ELECTRICAL

LTNG Test Plug PINOUT		
Socket		Plug
1	-	1
2	-	2
3	-	3
4	-	4
5	-	5
6	-	6
7	-	7
8	-	8

MECHANICAL

Mating force	18 N (typical)
Unmating force	12 N (typical)
Durability	50 000 cycles (typical)



MA015028 LTNG Test Connector is 8-pin one sided connector with straight signaling.

MA015028 LTNG Test Connector is designed for testing of mobile device interface.
The transmission of high data rates can be achieved, recommended to be verified by our customers in their applied test setup.

