

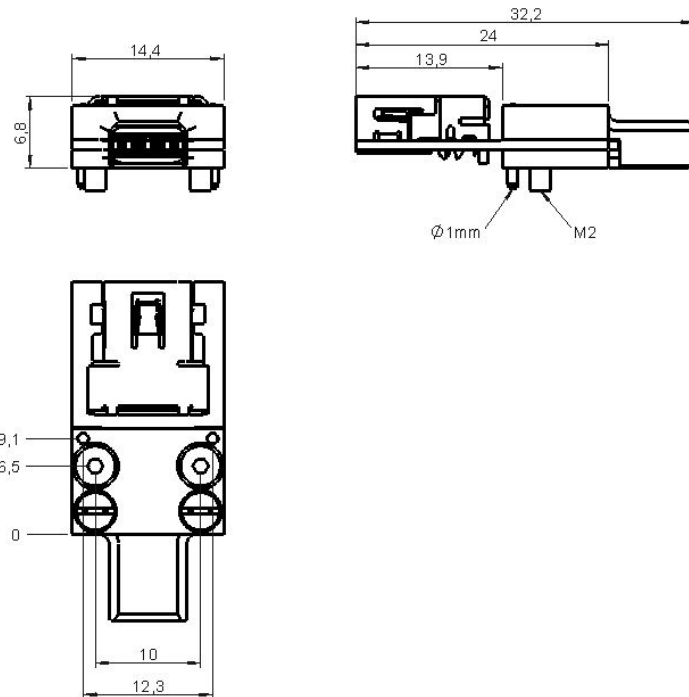
# Mini DisplayPort Test Connector

MA010395

## ELECTRICAL

PINOUT			
mDP socket		mDP plug	
Pin	Name	Pin	Name
1	GND	11	ML_LANE_1_N
2	HPG	12	ML_LANE_3_N
3	ML_LANE_0_P	13	GND
4	CONFIG_1	14	GND
5	ML_LANE_0_N	15	ML_LANE_2_P
6	CONFIG_2	16	AUX_P
7	GND	17	ML_LANE_2_N
8	GND	18	AUX_N
9	ML_LANE_1_P	19	GND
10	ML_LANE_3_P	20	DP_PWR

## MECHANICAL



MA010395 mDP / Thunderbolt test plug is a 20-pin test connector with straight signaling.

MA010395 Test Plug is designed for testing of Mini DisplayPort or Thunderbolt interface.  
The transmission of high data rates can be achieved, recommended to be verified by our customers in their applied test setup.

Accessories (sold separately): MA030013 Float unit for mDP Test Connector

