

USB Type-C Test Plug - Straight

MA009253

ELECTRICAL

USB Type-C socket
USB Type-C plug

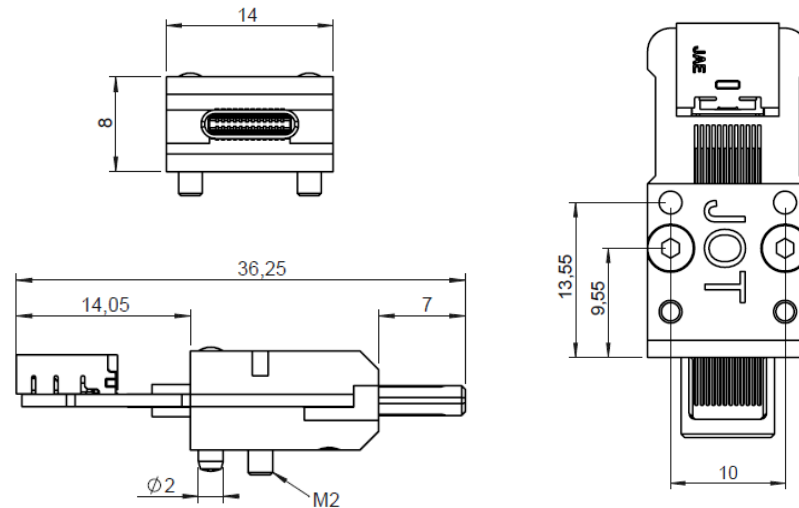
PINOUT

Pin	Name		Pin	Name
A1	GND		B12	GND
A2	TX+		B11	RX+
A3	TX-		B10	RX-
A4	V _{BUS}		B9	V _{BUS}
A5	CC1		B8	SBU2
A6	D+		B7	D-
A7	D-		B6	D+
A8	SBU1		B5	CC2
A9	V _{BUS}		B4	V _{BUS}
A10	RX2-		B3	TX2-
A11	RX2+		B2	TX2+
A12	GND		B1	GND

Maximum current 5A (1,25A / VBUS-pin)

MECHANICAL

Mating force	12 N (typical)
Unmating force	10 N (typical)
Durability	50 000 cycles (typical)



MA009253 USB Type-C Test Plug is 24-pin double sided connector with straight signaling.

MA009253 Test Plug is designed for testing of USB Type-C interface.

The transmission of high data rates can be achieved, recommended to be verified by our customers in their applied test setup.

