

# Micro-USB2.0 Test Connector

MA008072

**BLUELEC**  
Part of JOT Automation

## ELECTRICAL

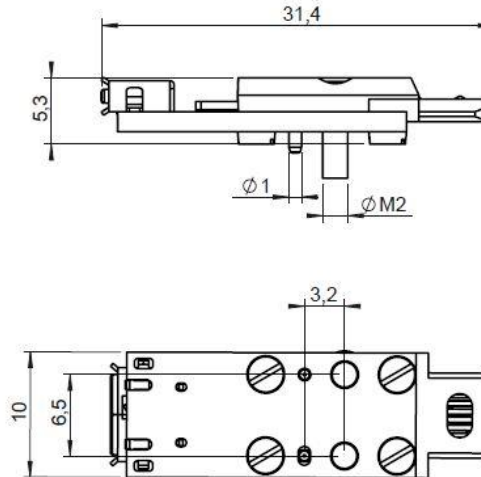
PINOUT Socket/Plug	
Pin	Name
1	VBUS
2	D-
3	D+
4	ID
5	GND

CHARACTERISTICS	
Current Max.	1,2A (VBUS/GND-pins) 1,0A (other pins)
Voltage Max.	20Vrms
Datalines Diff. Impedance	90Ω
Operating Temperature	0°C - 60°C

## MECHANICAL

Mating force	4N (typical)
Unmating force	3N (typical)
Durability	50k cycles (typical)



MA008072 Micro-USB 2.0 Test Connector is a 5-pin Test Plug with straight signaling.

MA008072 Test Plug is designed for testing of Micro-USB interface.

The transmission of high data rates can be achieved, recommended to be verified by our customers in their applied test setup.

