

Micro-USB2.0 Test Connector

MA008072

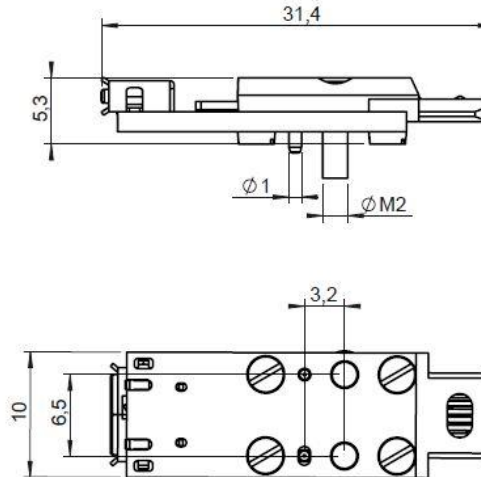
ELECTRICAL

| PINOUT Socket/Plug | |
|--------------------|------|
| Pin | Name |
| 1 | VBUS |
| 2 | D- |
| 3 | D+ |
| 4 | ID |
| 5 | GND |

| CHARACTERISTICS | |
|---------------------------|---|
| Current Max. | 1,8A (VBUS/GND-pins) 1,0A (other pins) |
| Voltage Max. | 30V |
| Datalines Diff. Impedance | 90Ω |
| Operating Temperature | 0°C - 60°C |

MECHANICAL

| | |
|----------------|----------------------|
| Mating force | 4N (typical) |
| Unmating force | 3N (typical) |
| Durability | 50k cycles (typical) |



MA008072 Micro-USB 2.0 Test Connector is a 5-pin Test Plug with straight signaling.

MA008072 Test Plug is designed for testing of Micro-USB interface.
The transmission of high data rates can be achieved, recommended to be verified by our customers in their applied test setup.

