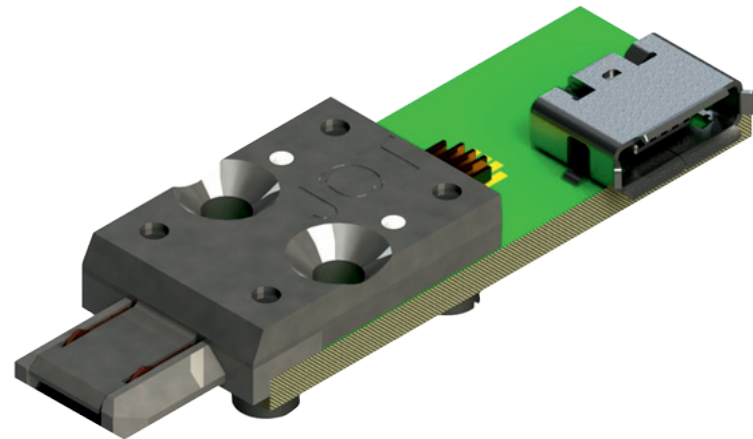


Micro-AB USB Test Connector Module

EM077972-0_1

- High-quality Micro-AB USB 2.0 connector between DUT (Device Under Test) and Test System
- Cutting-edge reliable, durable and high-accurate solution to replace commercial cables and connectors
- Applicable with all mobile device types with Micro-AB USB
- Durability for high volume production testing
- Optimized for using with JOT G3 and JOT M10 test platforms



APPLICATIONS

USB interface testing of mobile devices, like smartphones, tablets, wearables, media players, digital cameras, handheld navigators, payment terminals, and other portable devices.

Applicable for testing in high-volume production, R&D laboratories, service centers, and test laboratories.

TECHNICAL CHARACTERISTICS

Dimensions: 35*11.3*8 mm (1.38"*0.44"*0.31")

INTERFACE

Micro-B plug and micro-AB receptacle

INSTALLATION REQUIREMENTS

M2 countersunk screws, positioning pins diameter 1 mm - delivered with test module

OPTIONS

Receptacle options :
Straight: MA008072
Right angle: EM077973-0

CONTACT INFO

sales@bluelec.com

TECHNICAL DETAILS

Product is designed to meet the electrical, mechanical and environmental performance requirements of USB 2.0

Environments

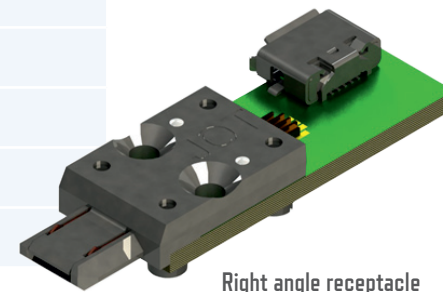
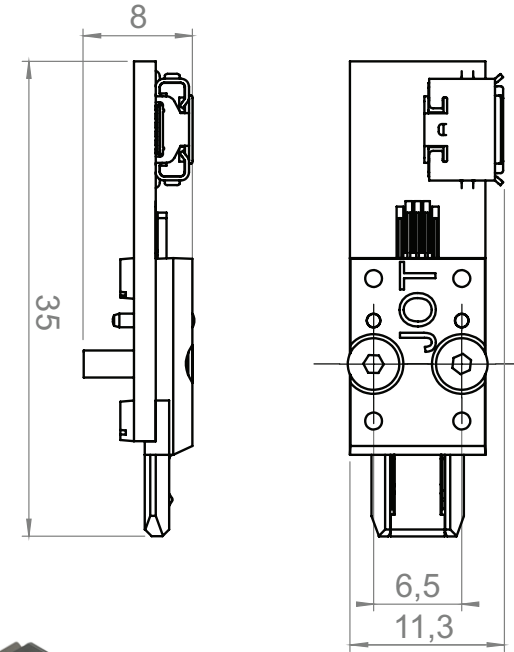
| | |
|-------------------|--------------------------------|
| Temperature | from 0 °C to +60 °C |
| Relative humidity | from 15% to 95% non-condensing |

Specification

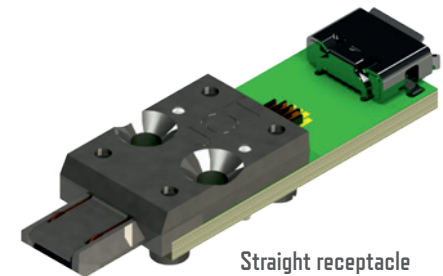
| Electrical | |
|--|-----------------|
| PWB data lines differential impedance | 90 ohm |
| Rated voltage (max.) | 20V AC (rms) |
| Rated current (max.) power (pins 1,5) | 0.85 A |
| Rated current (max.) signal (pins 2,3,4) | 0.85 A |
| Mechanical | |
| Durability | 50000 (typical) |
| Mating force (typical) | 4 N |
| Unmating force (typical) | 3 N |

RoHS compliant

Lead free



Right angle receptacle



Straight receptacle