

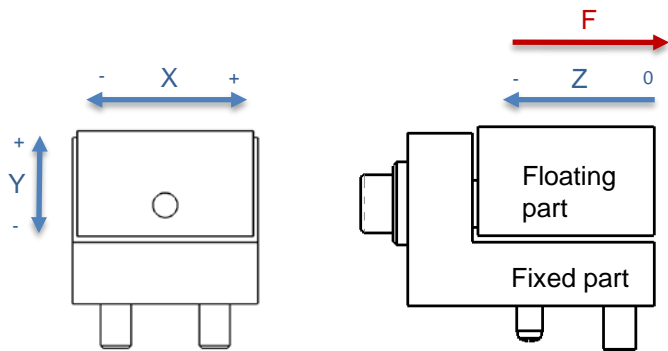
Float unit for HDMI D Test Connector

MA030005

OVERVIEW

MA030005 is a float unit for Bluelec Micro-HDMI test plug.

It compensates the possible misalignments between test system mechanics and DUT socket and enables more smooth insertion of the test plug.



Default position of floating part is '0' for all axes.
Displacement of Z is needed to allow displacement of X and Y.

SPECIFICATIONS

Displacement Zmax	+0.0 / -0,5 mm
Displacement Xmax@Zmax	+/- 0,3 mm
Displacement Ymax@Zmax	+/- 0,3 mm
Spring force F @ Z0	~10N
Spring force F @ Zmax	~14,5N

