

Capacitive Test Finger

MA028458

BLUELEC
Part of JOT Automation

SPECIFICATIONS

Overall dimensions:

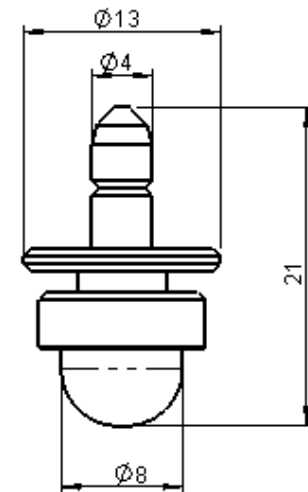
Height – 21 mm

Diameter max – 13 mm

Diameter min – 4 mm

Weight – 4.5 grams

Recommended stroke 1.5mm



MA028458 is a capacitive test finger designed for various touch screen testing, with durable rubber tip.

