

# USB Type-C Test Connector – Straight

Long tip version  
MA024613

## ELECTRICAL

USB Type-C socket  
USB Type-C plug

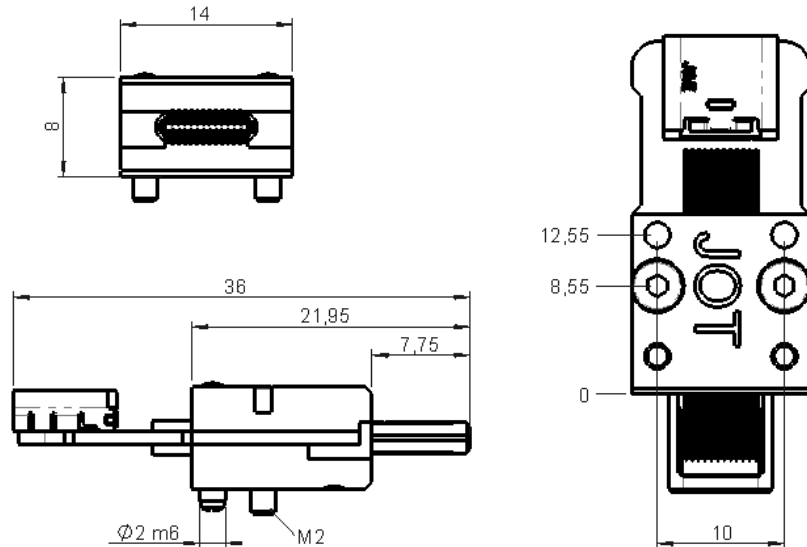
### PINOUT

Pin	Name		Pin	Name
A1	GND		B12	GND
A2	TX+		B11	RX+
A3	TX-		B10	RX-
A4	V <sub>BUS</sub>		B9	V <sub>BUS</sub>
A5	CC1		B8	SBU2
A6	D+		B7	D-
A7	D-		B6	D+
A8	SBU1		B5	CC2
A9	V <sub>BUS</sub>		B4	V <sub>BUS</sub>
A10	RX2-		B3	TX2-
A11	RX2+		B2	TX2+
A12	GND		B1	GND

Maximum current 5A (1,25A / VBUS-pin)

## MECHANICAL

Mating force	12 N (typical)
Unmating force	10 N (typical)
Durability	50 000 cycles (typical)



MA024613 USB Type-C Test Connector is 24-pin double sided connector with straight signaling. It has 0.75mm longer tip than our standard USB C Test Connector to achieve proper connection to DUTs with thicker casing.

MA024613 Test Connector is designed for testing of USB Type-C interface.  
The transmission of high data rates can be achieved, recommended to be verified by our customers in their applied test setup

