

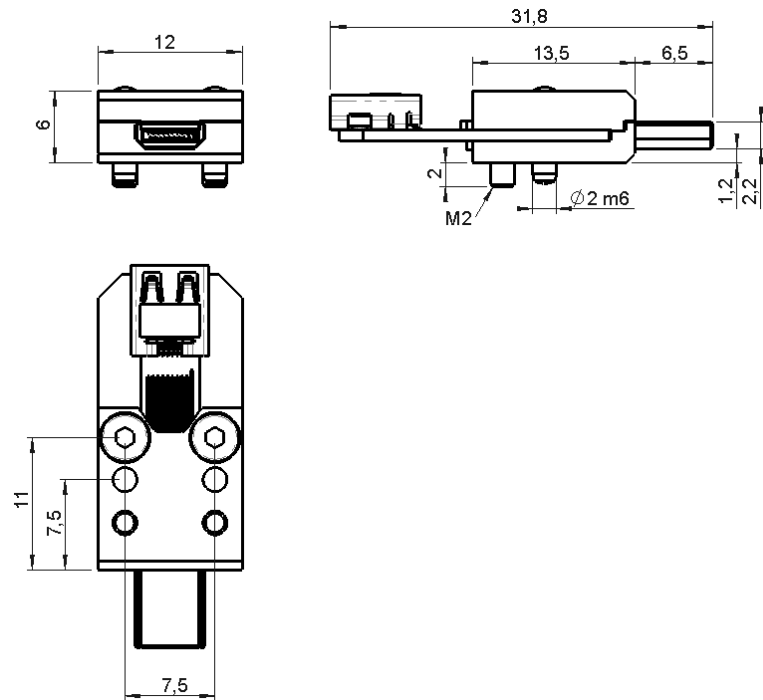
BLUELEC Micro-HDMI Test Connector

MA022676

ELECTRICAL

HDMI Type-D socket HDMI Type-D plug			
PINOUT			
Pin	Name	Pin	Name
1	DETECT	11	DATA0-
2	UTIL	12	CLOCK+
3	DATA2+	13	CLOCK_SHIELD
4	DATA2_SHIELD	14	CLOCK-
5	DATA2-	15	CEC
6	DATA1+	16	DDC/CEC_GND
7	DATA1_SHIELD	17	SCL
8	DATA1-	18	SDA
9	DATA0+	19	+5V
10	DATA0_SHIELD		

MECHANICAL



BLUELEC Micro-HDMI Test Connector MA022676 is a 19-pin test connector designed for testing of Micro-HDMI interface. The transmission of high data rates can be achieved, recommended to be verified by our customers in their applied test setup.

Accessories (sold separately): MA030005 Float unit for HDMI D Test Connector

