

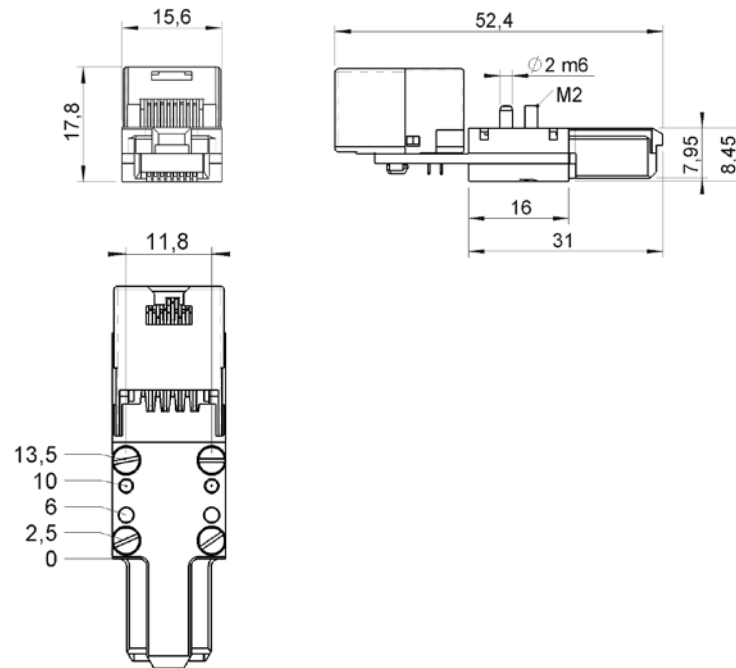
# Modular 8P8C Test Connector

MA014781

## ELECTRICAL

PINOUT		
Socket		Plug
Pin	-	Pin
1	-	1
2	-	2
3	-	3
4	-	4
5	-	5
6	-	6
7	-	7
8	-	8

## MECHANICAL



MA014781 8P8C Modular Test Connector is a straight signaling test plug for RJ45 interface testing. Suitable for all devices with RJ45 connectors, like desktop computers, laptops, televisions, set top boxes, Ethernet routers, Ethernet switches and others.

The transmission of high data rates can be achieved, recommended to be verified by our customers in their applied test setup.

