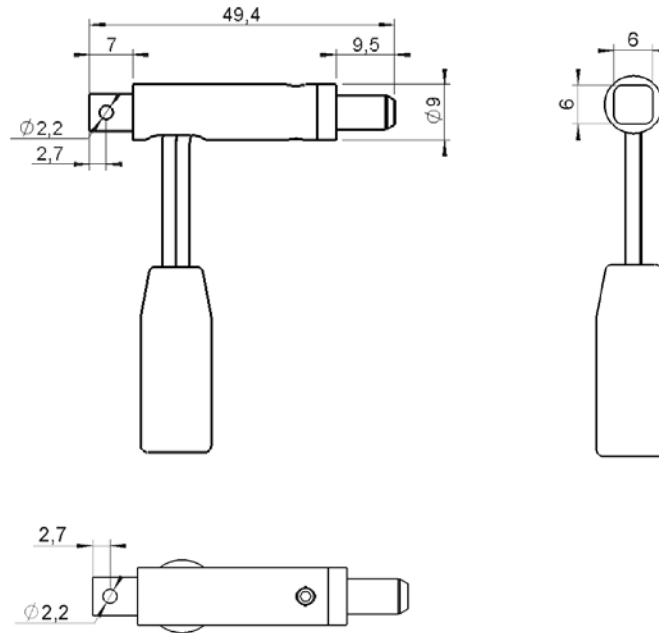


# DC Test Connector

## MA009073

### MECHANICAL



MA009073 is a highly durable test plug for testing 2.5/5.5mm DC-connector interface. It has a DC-jack with  $2 \times 0.80\text{mm}^2$  cable for easy integration. Length of the cable is 300mm.

