

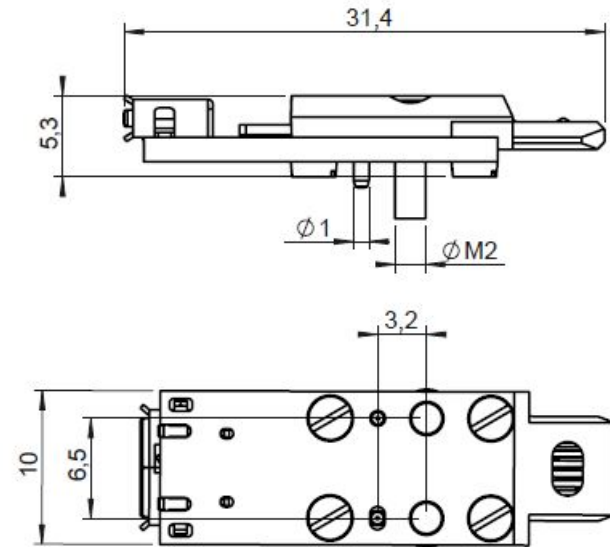
Micro-USB2.0 Test Connector

MA008072

ELECTRICAL

PINOUT	
USB Micro socket	
USB Micro plug	
Pin	Name
1	VBUS
2	D-
3	D+
4	ID
5	GND

MECHANICAL



MA008072 Micro-USB 2.0 Test Connector is a 5-pin Test Plug with straight signaling.

MA008072 Test Plug is designed for testing of Micro-USB interface.

The transmission of high data rates can be achieved, recommended to be verified by our customers in their applied test setup.

