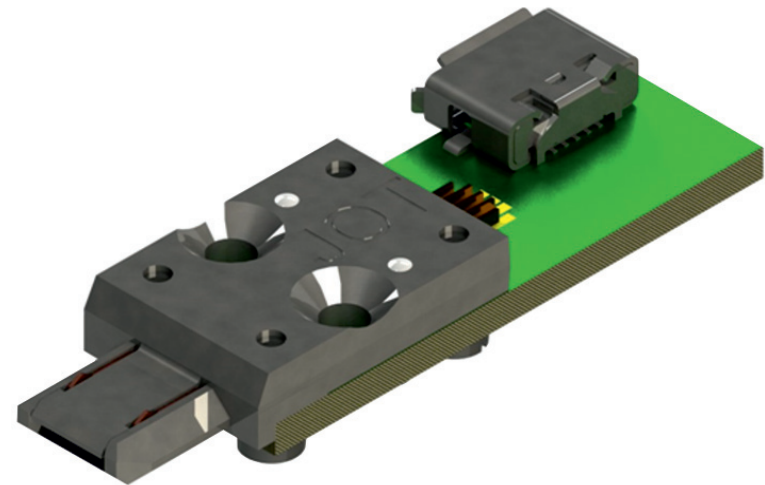


Micro-AB USB Test Connector Module

EM077973-0_1

- High quality Micro-AB USB 2.0 connector between DUT (Device Under Test) and Test System
- Cutting-edge reliable, durable and high-accurate solution to replace commercial cables and connectors
- Applicable with all mobile device types with Micro-AB USB
- Durability for high volume production testing
- Optimized for using with JOT G3 and JOT M10 test platforms



USE CASES

USB interface testing of mobile devices, like smartphones, tablets, wearables, media players, digital cameras, handheld navigators, payment terminals, and other portable devices.

Applicable for testing in high volume production, R&D laboratories, service centers, and test laboratories.

TECHNICAL CHARACTERISTICS

Dimensions: 35*11.3*8 mm (1.38"*0.44"*0.31")

INTERFACE

Micro-B plug and micro-AB receptacle

INSTALLATION REQUIREMENTS

M2 countersunk screws, positioning pins diameter 1 mm - delivered with test module

OPTIONS

Receptacle options :

Straight: MA008072

Left angle: EM077972-0

CONTACT INFO

sales@bluelec.com

TECHNICAL DETAILS

Product is designed to meet electrical, mechanical and environmental performance requirements of USB 2.0

Environments

Temperature from 0 °C to +60 °C

Relative humidity from 15% to 95% non-condensing

Specification

Electrical

PWB data lines differential impedance 90 ohm

Rated voltage (max.) 30V AC (rms)

Rated current (max.) power (pins 1,5) 1.8 A

Rated current (max.) signal (pins 2,3,4) 1.0 A

Mechanical

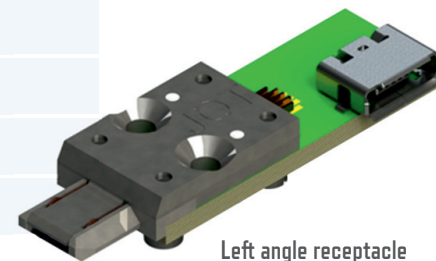
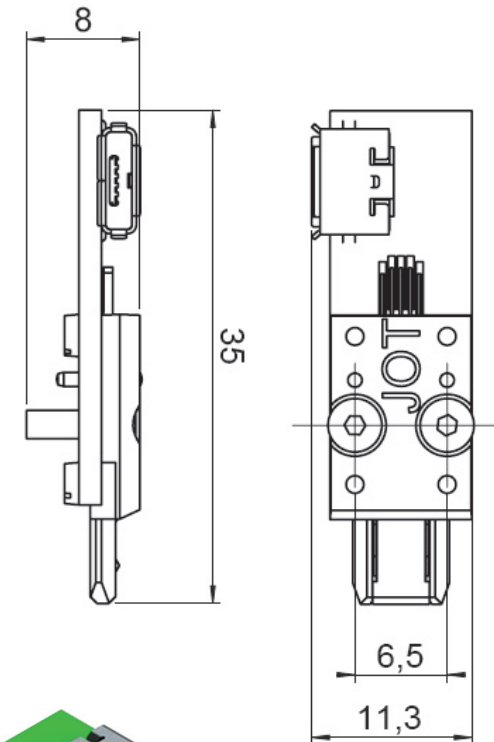
Durability 50000 (typical)

Mating force (max.) 35 N

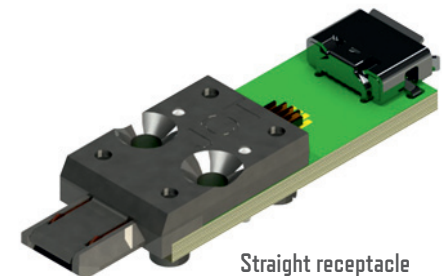
Un-mating force (max.) 25 N

RoHS compliant

Lead free



Left angle receptacle



Straight receptacle